

PCD 321

TECHNICAL SPECIFICATIONS:

PCD 321: PERSONAL CALIBRATOR DISPLAY

1.1 VISUAL PERFORMANCE:

Picture tube:

Dimension: 21"
Design: Flat square
Light transmission: 43 %
Faceplate type: ARAS
Type: Invar shadow mask
Dot pitch: 0.28 mm
Antistatic layer: Yes

Light output:

Calibrated : 70 Cd/m²
Maximum long term: 105 Cd/m²

Resolution :

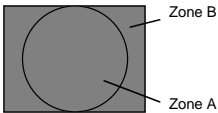
Adress. pixels: 1600
Adress. lines: 1200
Focus controls: DAF-system

EHT performance :

EHT voltage: 27 kV
Dynamic size regulation (0 - 100% APL): 0.5%

Convergence specifications:

Zone A: max. 0.35 mm
Zone B: max. 0.45 mm



1.2 VIDEO PERFORMANCE RGB DRIVE:

RGB bandwidth: typical 135 MHz
Pulse rise and fall time: typical 3.5 ns
Black level stability (0-100% APL): 0.5%
Automatic Kinescope Biasing

1.3 COLORIMETRIC PERFORMANCE:

One prealigned color temperature
Prealigned to 6500 K
User presetable 5000 to 9900 K

Typical phosphor coordinates: Medium short EBU

Phosphor	x	y
Red	0.637	0.340
Green	0.278	0.600
Blue	0.147	0.062

1.4 SCANNING SYSTEMS:

Horizontal scanning :

Multi sync: μ -controller controlled
Minimum frequency: 30 kHz
Maximum frequency: 85 kHz
Minimum blanking (@ 85 kHz): 2.8 μ s
Minimum backporch (SOGreen): 1.2 μ s
Storable scan frequencies: 16
Prealigned scans: minimum 1

Vertical scanning :

Minimum frequency: 48 Hz
Maximum frequency: 150 Hz
Minimum blanking: 420 μ s (after leading edge)

1.5 GEOMETRY:

Maximum error: 1 %
Nominal size (4/3 ratio): 393 mm x 295 mm
Geometry adjustments:
- OSD menu's with password
- via serial port

1.6 CONTROL:

- OSD (On Screen Display menus)
- Direct acces push button for Degauss, Power off (DPMS), Brightness, Contrast.
- Menu push buttons
- Power switch at rear

1.7 INPUTS:

Video

Nominal level: 0.7 Vpp
Maximum / minimum: ± 3 dB
BNC inputs: 75 Ohm terminated or high impedance non-terminated

Sync

Nominal level : 2 Vpp
Maximum / minimum input : 1 to 5 Vpp
Composite or Hor. & Vert. sync
Automatic polarity selection
Impedance: 2.2 kOhm

Communication inputs/outputs

RS232 9-pin sub D connector
Baudrate: 9600

1.8 POWER SUPPLY:

Automatic selection:
90 - 135 / 195 - 265 Veff (AC)
Power consumption: 100 W nominal
Frequency limits: 45 - 65 Hz

1.9 ENVIRONMENTAL:

Temperature range (°C):
storage: -20/+65
operation: 0/+45
within specs: 0/+35

Altitude :

storage: 25 000 ft. max.
operational: 10 000 ft. max.
Humidity (relative): non condensing: 95 % maximum

1.10 MAGNETIC IMMUNITY SPECIFICATIONS:

Automatic Quick Degauss system.
Minimum interval 10 s.
Uniformity correction: vertical & axial

1.11 FEATURES:

Orbiter
ALC: Ambient Light Control
Display Power Management System (DPMS)
Quick degauss
Automatic Color Alignment

1.12 APPROVALS:

Units are built to comply with:

Safety:

DHHS21, German X-ray law limits (PTB)
IEC 950 (EN 60950)
UL 1950
C-UL 950

Emission:

EN 55022 Limit B
FCC Class A Vol II part 15 subpart J
MPR II

Immunity:

EN 50082-1
CE conform

Approval status details available on request

1.13 MTBF:

Target: 30 000 hours

1.14 WEIGHT:

Unpacked Packed
31.0 kg 37.2 kg

1.15 DIMENSIONS PACKING:

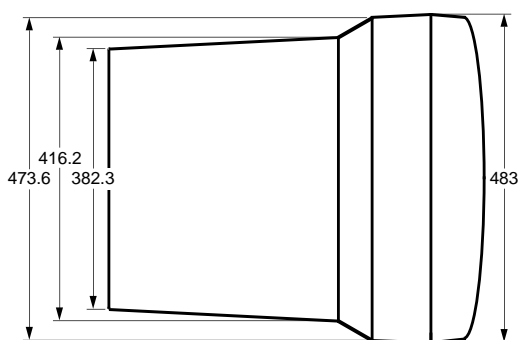
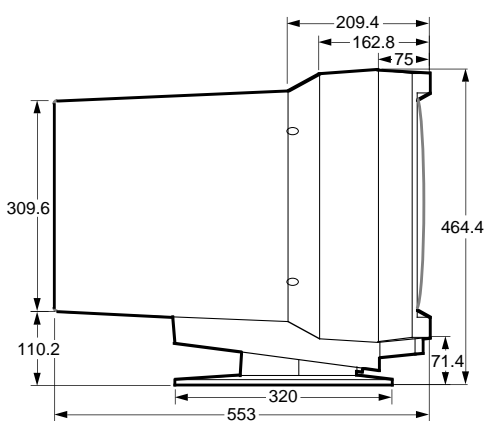
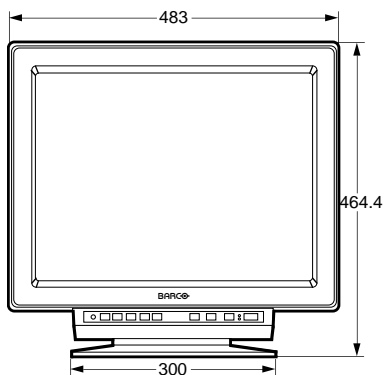
H x W x D: 575 mm x 620 mm x 715 mm

1.16 OPTION:

- Metallic viewing enhancer

Specifications are subject to change without prior notice.
All rights reserved BARCO nv

BARCO



Specifications are subject to change without prior notice.
All rights reserved BARCO nv